



Westinghouse

CATHEDRAL CEILING FAN CANOPY KIT

- For ceilings up to a 45° angle.
- Design allows remote control receiver to be installed within the canopy up to a 45° angle.
- Works with 1/2" and 3/4" fan down rods.
- Unique Patent Pending design.

UNPACKING THE CATHEDRAL CANOPY KIT

1. Identify all the included components (Fig. A):
 - a. Universal Mounting Plate
 - b. Mounting Bracket with (2) 3/8" long canopy screws
 - c. Canopy
 - d. Decorative Cover Ring
 - e. (2) 3/4" long screws
 - f. (2) split washers
 - g. (2) flat washers
 - h. Down rod sleeve adaptor
 - i. Retaining Ball
 - j. Retaining Pin
 - k. 1/4" long retaining screw
 - l. 3/8" long retaining screw
2. Remove the (2) canopy screws from the Mounting bracket and remove the canopy.

INSTRUCTIONS

1. Turn off power supply before installation.
2. The outlet box and support structure must be securely mounted and capable of reliably supporting a ceiling fan. Use only listed outlet boxes marked "for fan support".
3. Align universal mounting plate to the outlet box, so that the mounting brackets mounting holes are positioned horizontally (Fig. B).
4. Secure universal mounting plate to outlet box with outlet box screws (not included).
5. Position mounting bracket, so that the mounting bracket opening is away from the ceiling peak (Fig. C and D).
6. Secure mounting bracket to universal mounting plate with 3/4" mounting screw, lock washer and flat washer.

Note: The universal mounting plate can be installed with the flange/lip facing towards or away from ceiling, it does not affect the performance.
7. Determine the size of the down rod you are using is 1/2" or 3/4".
8. For 1/2" down rod: position down rod adaptor sleeve, so that retaining screw hole is located above retaining pin hole. Slide down rod and adaptor sleeve through bottom of retaining ball and insert retaining pin through down rod. Lock pin into retaining ball slots and secure with 3/8" long retaining screw (Fig. E). For 3/4" down rod: slide down rod through bottom of retaining ball and insert retaining pin through down rod. Lock pin into retaining ball slots and secure with 1/4" long retaining screw (Fig. F).
9. Break off the tab of the decorative cover ring.
10. Slide the ceiling fan wires through: decorative cover ring, canopy, down rod assembly. Secure the down rod to the ceiling fan according to the ceiling fan instructions.
11. Lift retaining ball and place into mounting bracket, making sure the mounting bracket tab sits properly into the slot of the retaining ball (Fig. G).
12. For optional remote control installation: Insert remote control receiver above the mounting bracket ring (Fig. G).
13. Make electrical connections according to remote control and ceiling fan manufacturer's instructions.
14. Connect green grounding wire from the retaining ball to the grounding conductor in the outlet box.
15. Raise canopy to mounting bracket. Secure with (2) 3/8" long canopy screws.
16. Peel the backing off the adhesive tape strips on the inside of the decorative cover ring. Secure to the canopy by gently pressing the adhesive tape to the bottom of the canopy.

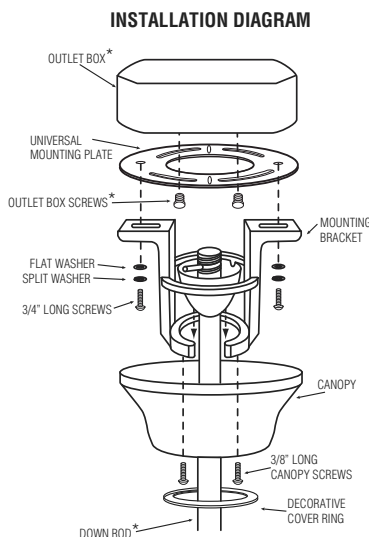


Fig. A *NOT INCLUDED

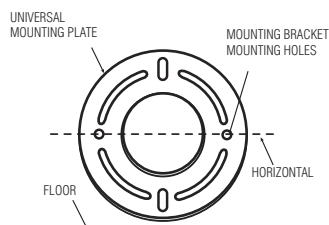


Fig. B

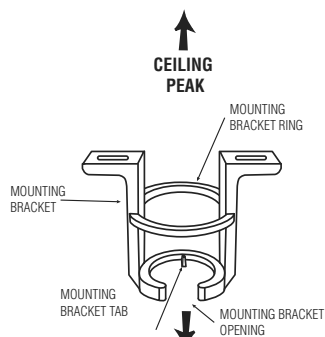


Fig. C

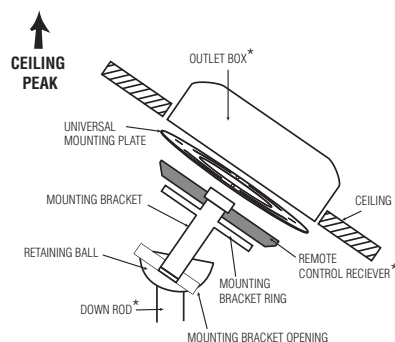


Fig. D *NOT INCLUDED

DOWN ROD AND RETAINING BALL ASSEMBLY FOR 1/2" DOWN ROD

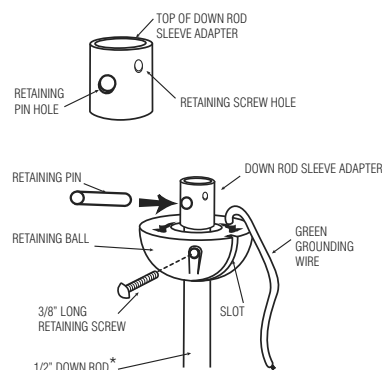


Fig. E *NOT INCLUDED

DOWN ROD AND RETAINING BALL ASSEMBLY FOR 3/4" DOWN ROD

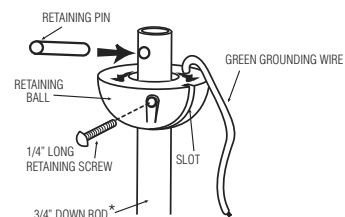


Fig. F *NOT INCLUDED

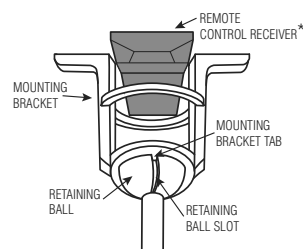


Fig. G *NOT INCLUDED