

New
**Ceiling
Fans**

from
Westinghouse Lighting



**73069 Porto**

52 in. Black-Bronze Finish
Reversible Blades (Dark Walnut/Wengue)
Amber Frosted Glass

Includes (1) Medium (E26) Base, 9 Watt Omni A19 LED Lamp
(WL Lamp #51331)

Remote Control Included

**73070 Porto**

52 in. Distressed Aluminum Finish
Reversible Blades (Charcoal/Rustic Birch)
Opal Frosted Glass

Includes (1) Medium (E26) Base, 9 Watt Omni A19 LED Lamp
(WL Lamp #51331)

Remote Control Included

**73071 Porto**

52 in. Black-Bronze Finish
Reversible Blades (Dark Walnut/Wengue)
Amber Frosted Glass

Includes (1) Medium (E26) Base, 9.8 Watt Omni A19 LED Lamp
(WL Lamp #50581)

Pull Chains Included

**73072 Comet**

52 in. Espresso Finish
Reversible Blades (Espresso/Rich Walnut)
Frosted Glass

Includes 16 Watt Integrated LED
Pull Chains Included

**73073 Oyster Bay**

52 in. Black-Bronze Finish
Reversible Blades (Pewter Ash/Walnut)
Clear Prismatic Glass

Includes 24 Watt Integrated LED
Remote Control Included

**73083 Albert**

52 in. White Finish
Reversible Blades (White/Light Maple)
Frosted Glass

Includes (2) Medium (E26) Base, 9.8 Watt Omni A19 LED Lamps
(WL Lamp #50581)
Pull Chains Included

**LED LIGHT SOURCE SPECIFICATIONS**

Item No.	Number of Lamps	Energy Used (Watts) †	Equiv. Incand. Wattage †	Color Temperature (Kelvin)	Lumens †	CRI	Average Rated Hours	Life in Years*	Est. Yearly Energy Cost**
73069	1	9	60	3000 (Warm White)	800	80	25000	22.8	\$1.08
73070	1	9	60	3000 (Warm White)	800	80	25000	22.8	\$1.08
73071	1	9.8	60	3000 (Warm White)	800	80	15000	13.6	\$1.18
73072	*	16	75	3000 (Warm White)	1135	90	25000	22.8	\$1.93
73073	*	24	100	3000 (Warm White)	1724	90	25000	22.8	\$2.89
73083	2	9.8	60	3000 (Warm White)	800	80	15000	13.6	\$1.18

* Integrated LED Light Source

† Values are per lamp.

**Based on 3hrs./day **Based on 3hrs./day 11¢/kWh

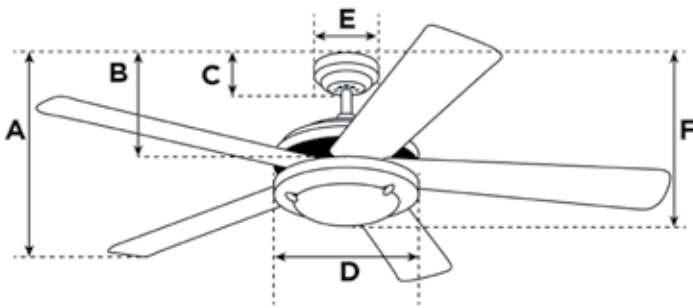
CEILING FAN SPECIFICATIONS

Family Name	Size	# of Blades	Blade Material	Blade Pitch	Motor Type & Motor Size	Lead Wire Length	Capacitor Type	# of Speeds	Remote Control	Reverse Airflow	Slope Angle	Mount Type	WITH DOWN ROD				HUGGER / WITHOUT DOWN ROD				RPM (High)	Amp (High)
													Airflow (CFM)*	Airflow Efficiency (CFM)*	Energy Use (Watts)*	Est. Yearly Energy Cost*	Airflow (CFM)*	Airflow Efficiency (CFM)*	Energy Use (Watts)*	Est. Yearly Energy Cost*		
Albert	52"	5	MDF	11°	Silicon Steel Motor 153mm x 15mm	54"	Triple	3	Adaptable	Yes	18°	Down Rod Only	3339	87	38	\$11	-	-	-	-	158	0.49
Comet	52"	5	Plywood	11°	Silicon Steel Motor 153mm x 17mm	54"	Triple	3	Adaptable	Yes	15°	Combo	3210	82	39	\$11	2492	64	39	\$11	147	0.53
Oyster Bay	52"	5	Plywood	11°	Silicon Steel Motor 153mm x 18mm	54"	Single	4	Included	Yes	N/A	Down Rod Only	3024	75	40	\$11	-	-	-	-	156	0.52
Porto (73069 & 73070)	52"	4	Plywood	12°	Silicon Steel Motor 153mm x 15mm	54"	Single	4	Included	Yes	N/A	Combo	3223	78	42	\$12	2264	54	42	\$12	176	0.52
Porto (73071)	52"	4	Plywood	12°	Silicon Steel Motor 153mm x 15mm	54"	Triple	3	Adaptable	Yes	17°	Combo	3295	87	38	\$11	2677	70	38	\$11	158	0.50



Visit www.westinghouselighting.com for FTC energy guide information.

* Based on typical use, excluding lights.



- A. Ceiling to bottom of blade
- B. Ceiling to bottom of switch housing
- C. Ceiling to bottom of canopy
- D. Width of motor housing
- E. Width of canopy
- F. Ceiling to bottom of light kit


Family Name	Size of Down Rod Included	A Ceiling to bottom of blade	B Ceiling to bottom of switch housing	C Ceiling to bottom of canopy	D Width of motor housing	E Width of canopy	F Ceiling to bottom of light kit
Albert	3/4 X 6"	10.24"	11.95"	2.40"	11.10"	5.16"	16.09"
Comet	3/4 X 4"	11.88"	14.25"	2.25"	11.50"	5.13"	14.25"
Oyster Bay	3/4 X 9"	15.00"	14.00"	2.13"	10.43"	5.91"	20.50"
Porto	3/4 X 4"	10.75"	12.76"	2.72"	7.87"	5.20"	20.08"



2022 WESTINGHOUSE LIGHTING / 0422 / 165904 / 0031122L

  ALL CEILING FANS IN THIS BROCHURE ARE UL OR ETL LISTED.

Call 1-800-999-2226 or visit www.westinghouselighting.com.

 and Westinghouse are trademarks of Westinghouse Electric Corporation.
Used under license by Westinghouse Lighting. All Rights Reserved.

 **Westinghouse**