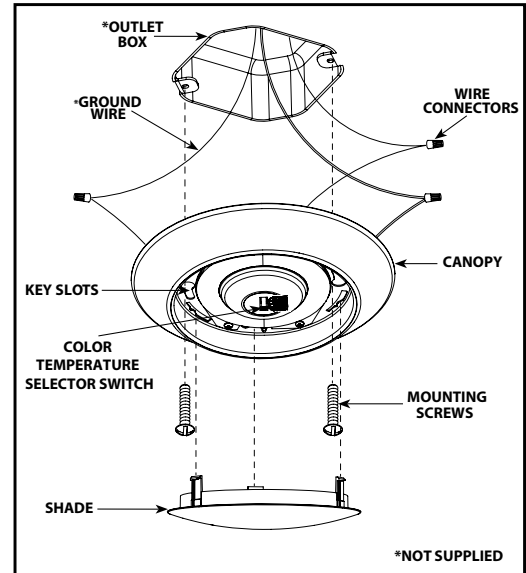


Makira LED Surface Mounts with Color Temperature Selection

Affordable and easy to install, our Makira surface mounts are a low maintenance and energy-efficient replacement for incandescent overhead lighting in bathrooms, basements, or outdoor applications.

- With only a few steps, you can effortlessly upgrade your lighting solutions.
- All fixtures have multi-kelvin color temperature selection that allows you to choose from 2700, 3000, 3500, 4000, or 5000 Kelvin during installation.
- Choose from a white 6-inch mount or black-bronze, brushed nickel, and white finish in 7.5-inch sizes.
- With the use of a compatible dimmer, all fixtures are dimmable.

Easy Installation!



61337

6 in. 11W Dimmable LED Surface Mount with Color Temperature Selection
White Finish
Frosted Acrylic Shade

Height: 1.00" Diameter: 6.00"



61340

7.5 in. 16W Dimmable LED Surface Mount with Color Temperature Selection
White Finish
Frosted Acrylic Shade

Height: 1.25" Diameter: 7.50"



61341

7.5 in. 16W Dimmable LED Surface Mount with Color Temperature Selection
Black-Bronze Finish
Frosted Acrylic Shade

Height: 1.25" Diameter: 7.50"



61342

7.5 in. 16W Dimmable LED Surface Mount with Color Temperature Selection
Brushed Nickel Finish
Frosted Acrylic Shade

Height: 1.25" Diameter: 7.50"

Item No.	Number of Lamps	Energy Used (Watts)	Equiv. Incand. Wattage	Kelvin (Color Temperature)	Lumens†	CRI	Average Rated Hours	Life in Years*	Est. Yearly Energy Cost**
24 61337	*	11	60	2700, 3000, 3500, 4000, 5000	840	90	50000	45.6	\$1.32
24 61340	*	16	75	2700, 3000, 3500, 4000, 5000	1200	90	50000	45.6	\$1.93
24 61341	*	16	75	2700, 3000, 3500, 4000, 5000	1200	90	50000	45.6	\$1.93
24 61342	*	16	75	2700, 3000, 3500, 4000, 5000	1200	90	50000	45.6	\$1.93

For a complete list of compatible dimmers, visit www.westinghouselighting.com.
* Integrated LED Light Source

†Based on 3hrs./day **Based on 3hrs./day 11c/kWh

24 Can be used to comply with the 2022 Title 24, Part 6, high efficiency light source requirements.