

COMMERCIAL SERVICE

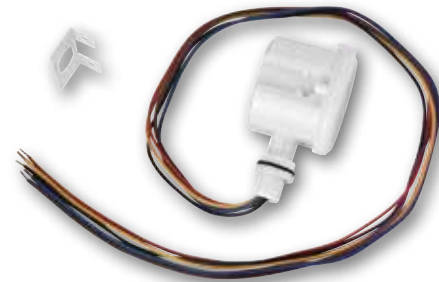
SPECIFICATION SHEET

Motion Sensor for High Bay Linear Fixtures 65634, 65635, 65636, 65637

Motion sensor with 5-step dimming function illuminates at 100%, 50%, 30%, 20%, 10% and off.

Item Number **6563x6914***

- Built-in adjustable daylight sensor.
- Detection area, time delay and daylight threshold can be precisely set via dip switches.
- Wide detection area ranges up to 52 ft. in diameter and 49 ft. in mounting height.
- Detect motion using microwave technology.
- Includes clip for easy installation to high bay fixture.

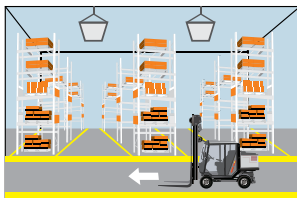


4.13"H x 3.93"W x 4.33"D

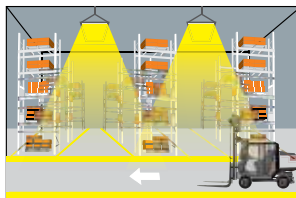
Dimming Function

5-Step Dimming Function

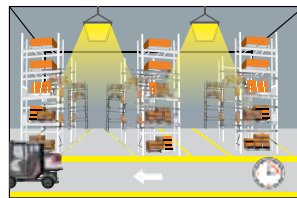
The sensors can achieve 5-step dimming function, 100%, 50%, 30%, 20%, 10% and off.



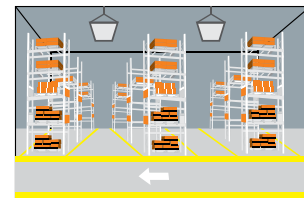
With sufficient ambient light, the sensor does not switch on the fixture.



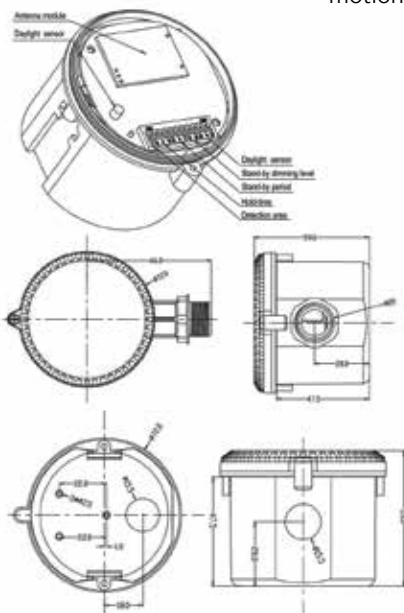
With insufficient ambient light, the sensor switches on the fixture when motion is detected.



After hold time, the sensor dims the fixture at a low light level if no new motion triggers it.



After stand-by period, the sensor switches off the fixture if no motion is detected in the detection zone.



SPECS

Operating voltage	120~277Vac, 50Hz/60Hz
Rated load	400W@120Vac, 800W@220-277Vac (inductive) 800W@120Vac, 1200W@220-277Vac (resistive)
HF System	5.8GHz±75MHz, ISM wave band
Transmitting power	<0.5mW
Power consumption	≤0.8W(standby), <1.5W(operation)
Detection zone	Max.(D x H): 52.49ft x 49.21ft
Detection sensitivity	100% / 50%
Hold time	5s / 30s / 90s / 3min / 20min / 30min
Daylight sensor	50lux / 100lux / 200lux / Disable
Stand-by period	5s / 5min / 10min / 30min / 1h / Disable
Stand-by dimming level	10% / 20% / 30% / 50%
Mounting height	49.21ft Max.
Motion detection	0.5~3ft/s
Detection angle	150°(wall installation), 360°(ceiling installation)
Operating temperature	-31°F~158°F (-35°C~70°C)

* SPECIAL ORDER ITEM
CALL YOUR WESTINGHOUSE LIGHTING REPRESENTATIVE FOR ADDITIONAL INFORMATION

COMMERCIAL SERVICE SPECIFICATION SHEET

Setting

By selecting the combination on the dip switches, sensor data can be precisely set for each specific application.

ON ↑		1	
	I	ON	100%
	II	-	50%

Detection area

Detection area can be reduced by selecting the combination on the dip switches to fit each application precisely.

ON ↑		2	3	4	
	I	ON	ON	ON	5s
	II	-	ON	ON	30s
	III	ON	-	ON	90s
	IV	-	-	ON	3min
	V	ON	ON	-	20min
VI	-	-	-	30min	

Hold time

Refers to the time period the fixture remains at 100% illumination after no motion is detected.

ON ↑		5	6	7	
	I	ON	ON	ON	+∞
	II	-	ON	ON	60min
	III	ON	-	ON	30min
	IV	-	-	ON	10min
	V	ON	ON	-	5min
VI	-	-	-	5s	

Stand-by period

Refers to the time period the fixture remains at a low light level before it completely switches off in the long absence of people. When set to Disable mode, the low light is maintained until motion is detected.

ON ↑		8	9	
	I	ON	ON	50%
	II	-	ON	30%
	III	ON	-	20%
IV	-	-	10%	

Stand-by dimming level

The level of low light during stand-by.

ON ↑		10	11	12	
	I	ON	ON	ON	Disable
	II	-	ON	-	200lux
	III	ON	-	-	100lux
IV	-	-	-	50lux	

Daylight sensor

The sensor can be set to only allow the fixture to illuminate below a defined ambient brightness threshold. When set to Disable mode, the daylight sensor will switch on the fixture when motion is detected regardless of ambient light level. 200lux: twilight operation, 50lux, 30lux: darkness operation only. Note that daylight sensor is active only when fixture totally switches off.

WIRING DIAGRAM

